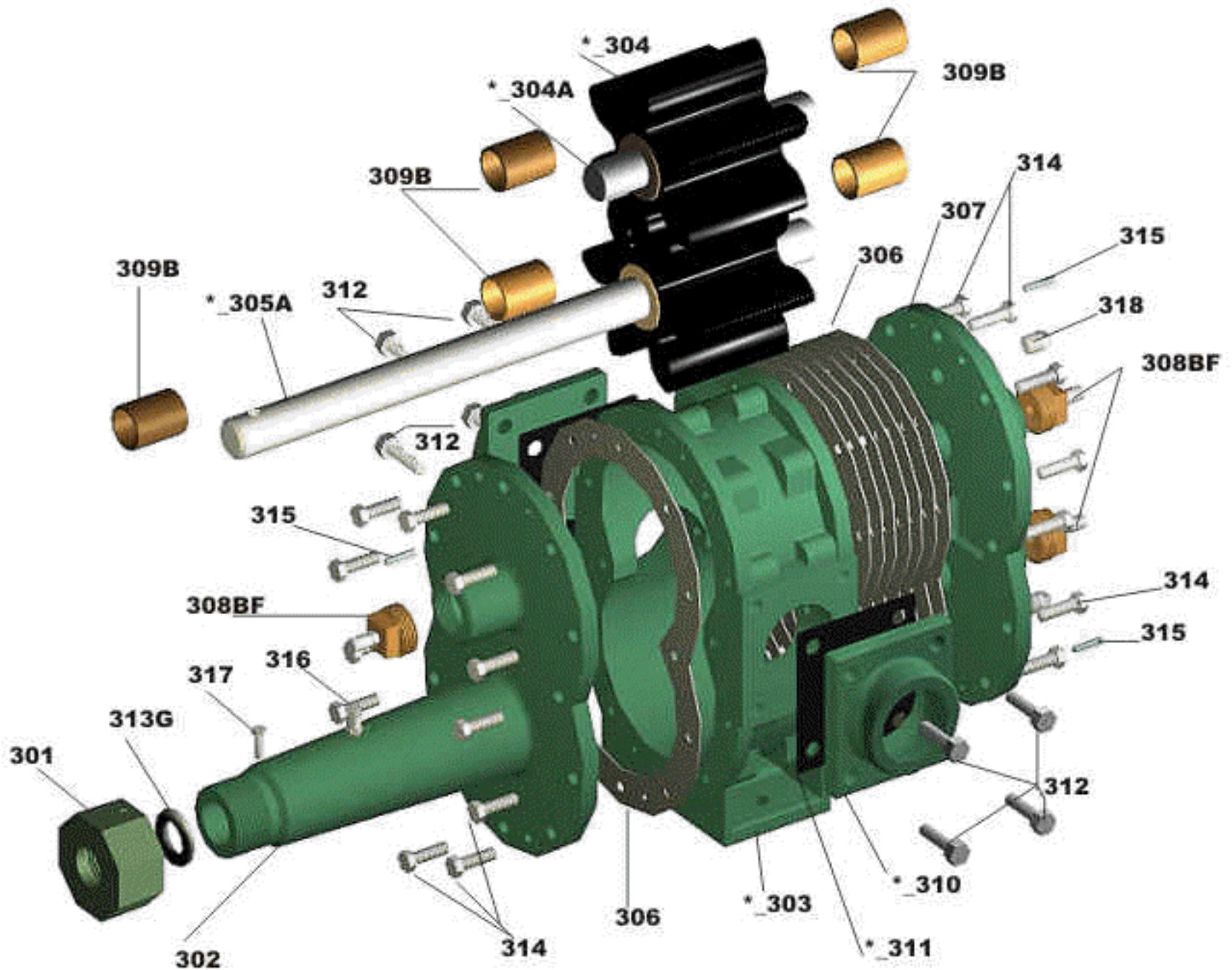


300 Series Parts



300 Series Parts:

No	Stock No.	Description	Qty	No	Stock No.	Description	Qty	No	Stock No.	Description	Qty	
1	301	Nut, Packing	1	8	313G	Packing, Graphite	1	*	14	303	Case, Center	1
2	302	Plate, front	1	9	314	Bolt, End Plate	24	*	15	304G	Gear, Buna-N	1
3	304K	Key, Gear	2	10	315	Pin, Tape	4	*	16	304A	Shaft, Idler	1
4	306	Gasket, Plate	8	11	316	Fitting, Grease	1	*	17	305A	Shaft, Drive	1
5	307	Plate, Back	1	12	317	Screw, Lock	1	*	18	310	Flange, Adapter	2
6	308BF	Plug, Bronze W/Grease Ftg	3	13	318	Plug, Drain	2	*	19	311	Gasket, Flange	2
7	309B	Bushing, Bronze	5					*	20	312	Flange, Bolt	8

300 Series Options:

Stock No.	Description	Stock No.	Description	Stock No.	Description
309 BG	Bushing, Brz Grooved	337	Seat, Ball	23/33 TB	Bushings, Teflon
309 T	Bushing, Teflon	334	Nut, Bypass	* 3 SS	Stainless Steel Shafts
313 T	Packing, Teflon	23/33 BP	Plate, Bypass	* 304 BG	Bronze Gear
319	Nut, Bypass Valve	23/33 EXT	Shaft, Extension	* 304 CG	Steel Gear
330	Screw, Adj. Bypass	23/33 SS EXT	Shaft, SS Extension	* 304 UG	Urethane Gear
331	Spring, Bypass	23/33 HP	Plate, Hard Wear	* 304 V	Viton Gear
335	Seat, Spring	23/33 RK	Repair Kit	* 310A	Flange, Adapter Mounting
336	Ball, Bypass	23/33 RKT	Repair Kit Teflon	* 310 HM	Flange, Adapter for Hydro-Mulcher

* Denotes 4 digit code number use pump size for first number

