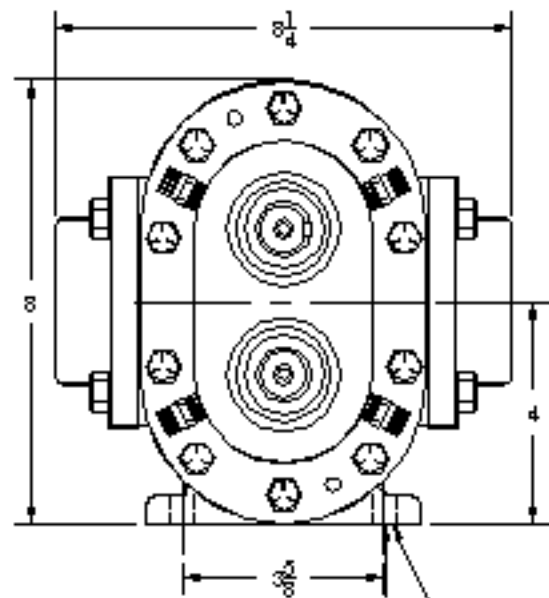


ID NO	PART NO.	DESCRIPTION	QTY REQ'D
1	7826	BEARING COLLAR, SHAFT	4
2	7826	BEARING, SHAFT	8
3	7824	RING, LANTERN	4
4	752X	SEAL, SHAFT	8
5	751A	BOLT, END PLATE	20
6	7821/7822	PLATE, FRONT/BACK	1 EA
7	781E	FITTING, GREASE	4
8	750E	CASKET, PLATE	4-6
9	75HP	PLATE, HARDENED WEAR **OPTIONAL	2
10	7802SSA	SHAFT, STAINLESS STEEL DRIVE	1
11	7802	GEAR, DRIVE	1
12	7801SSA	SHAFT, STAINLESS STEEL IDLER	1
13	7801	GEAR, IDLER	1
14	750S	CASE, CENTER CAST IRON	1
15	750IK	REV. GEAR ONLY	2



$\frac{1}{8}$  Typ 4 Holes

