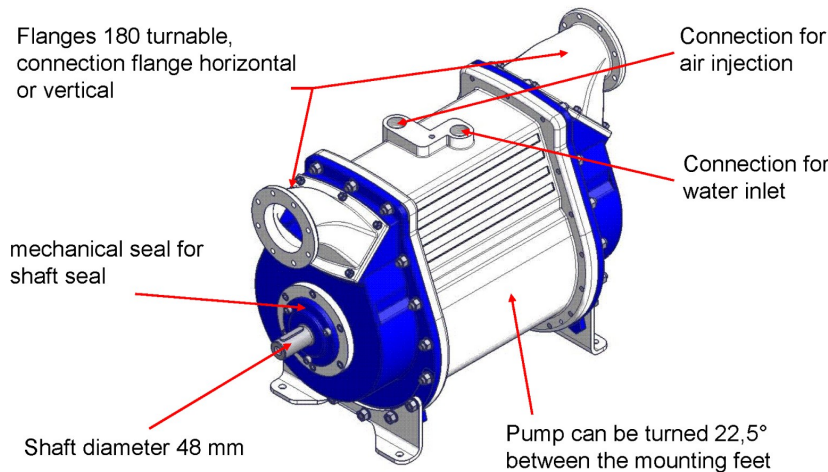




Fruitland Liquid Ring Vacuum Pump WR 4000



- Easy to Install
- Strong Durable Components
- Low Power Requirement
- Large Volume Flow Range
- Low Weight Anodized Aluminum Design

VacuStar WR 4000		
Max. Volume Flow	m ³ h/ cfm	4065/2393
Max. Operating Pressure	bar g/ psig	1.0/14.5
Max. Operating Vacuum*	mbar/ HG"	100/27
Speed Range	rpm	800-1300
Max. Power Requirement at 0.5 bar g/7.25	kW/ hp	131.5/176
Sound Pressure Level in 7m distance at 400mbar/18 HG"	dB(A)	73
Weight	Kg/lb	298/657

*Depending on cooling water temperature

2901 North Freeway ♦ Fort Worth, Texas 76106

817-624-3181 ♦ 800-709-3184 ♦ WWW.FORTWORTHTRUCK.COM

