

FRUITLAND

VACUUM PUMP

OPERATION AND MAINTENANCE

MANUAL

**RCF 250*370*500*800 AND 1200
Models**



ATTENTION

Read owners manual fully before operating pump.
Failure to do so can result in severe
pump damage and may void warranty.



FRUITLAND TOOL & MANUFACTURING

*Manufacturers of Rotary Vacuum Pumps
and Vacuum System Accessories*



2901 North Freeway
Fort Worth Texas 76106
817-624-3181 www.FortWorthTruck.com

This is the
SERIAL NUMBER of YOUR PUMP

PREFACE

This Manual is given with your pump to help operators and owners to understand the working and maintenance of your newly acquired unit.

Please familiarize yourself and any operator with the contents of this booklet, and keep a record of the serial number handy, should you need any parts or information in the future.

We at **FRUITLAND** are committed to quality, reliability and guaranteed performance.

PURCHASED FROM:

(DEALER'S STAMP)

DATE:

.....
MM / DD / YY

2901 North Freeway
Fort Worth Texas 76106
817-624-3181 www.FortWorthTruck.com

Certificate of guarantee and inspection
Certificat de garantie et d'inspection

Model No.
N° modele`
Serial No.
N° serie`
Date Purchased
Date d'achat

Our Product is guaranteed for 2 years in accordance with the warranty provisions described on the reverse side.

To put this guarantee into effect the card at the back of this manual must be filled out immediately and returned to:

Fruitland Tool & Manufacturing,
324 Leaside Avenue,
Stoney Creek, Ontario,
Canada L8E 2N7

Telephone No. (905) 662-6552
1-800-663-9003
Fax No. (905) 662-5412

NOTICE - WARRANTY CLAIM

In the event of pump failure while pump is still under warranty, pumps are to be returned to factory without dismantling or other alterations for warranty assessment. Violation of this condition will void warranty. All shipping costs are the customer's responsibility.

2901 North Freeway
Fort Worth Texas 76106
817-624-3181 www.FortWorthTruck.com

Thank you for purchasing a Fruitland Rotary Vane Vacuum Pump. Our quality control program has been developed to ensure this vacuum pump and its components are free from defects in materials and workmanship. With proper maintenance and operation your Fruitland pump should give many years of trouble free use.

Please read owners manual completely before operating your new Fruitland pump.

WARRANTY

If during the 2 year period from the purchase date and the return of the warranty card, the pump is found to be not operating properly, we will repair the pump free of charge, providing the pump is returned without dismantling or altering it in any way to our plant or to one of our authorized distributors and the problem is determined to have been caused by defect(s) in the pump materials or workmanship.

Rotary vane vacuum pumps are designed to pump air only! A properly designed vacuum system will have filters and shutoffs installed; and a maintenance program implemented to ensure that liquids, solids or dirt are not allowed to enter the pump. If foreign material enters the pump severe wear and damage will occur.

This Warranty Does Not Cover

- A) Repairs as a result of misuse, accident, lack of required maintenance, or improper operation.
- B) Normal wear (eg.) vanes.
- C) Repairs as a result of an improperly designed vacuum system, improper installation or foreign material entering pump.

Disclaimer

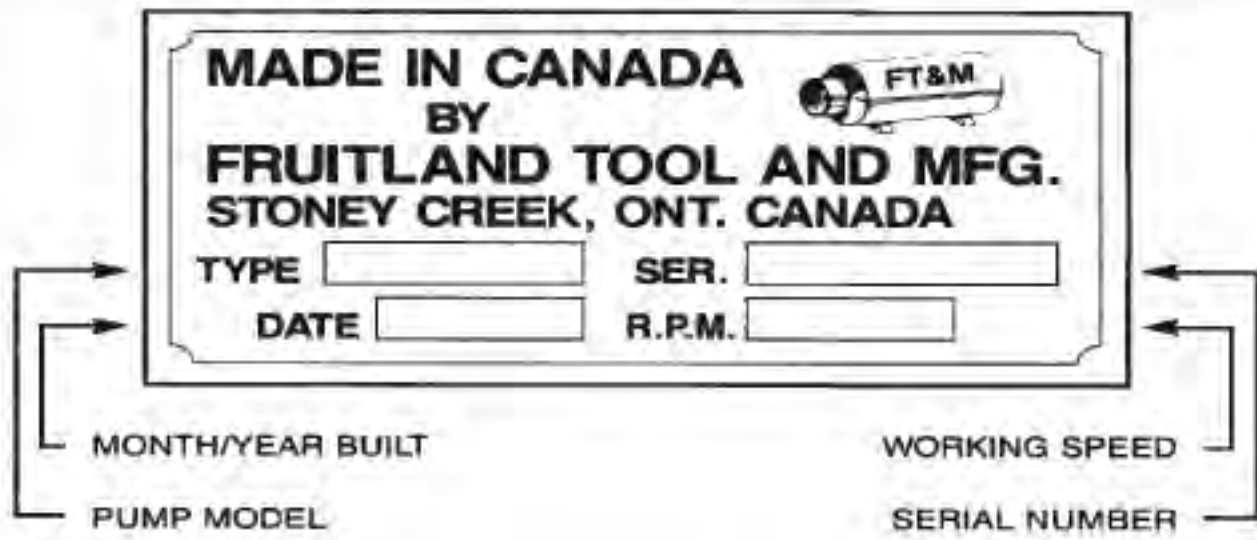
To the extent the law permits, Fruitland disclaims any responsibility for loss of time or use of the product, transportation or any other indirect, incidental or consequential damage, inconvenience or commercial loss.

2901 North Freeway
Fort Worth Texas 76106
817-624-3181 www.FortWorthTruck.com

TABLE OF CONTENTS:

PAGE

Name Plate, General Instructions	1
Drive Direction	2
Maintenance - Lubrication	3
Cooling, Accessories	4
Measuring Vane Wear	5
Piping, Non-Return Valve, Technical Data	6
Vane Replacements	6, 7
Recording Table for Vane Checks	8
Flushing Procedure	9
Trouble Shooting	10



INSTALLATION

When installing a Fruitland vacuum pump that is to be driven by a hydraulic motor, or angle gear box - *special care must be given.*

The coupling between the pump and drive method should have sufficient clearance to allow the rotor in the pump to expand lengthwise due to heat. If sufficient clearance is not given, the rotor will not stay centered in the housing and severe pump damage may occur. Please consult your coupling manufacturer or Fruitland Tool for recommended clearances.

GENERAL INSTRUCTIONS

- LIFTING:** Lift pump by eyebolts, if provided, or with slings around body of pump close to legs.
- MOUNTING:** Secure pump unit to flat sturdy surface with four bolts, washers and lockwashers, through holes in legs.
- LINE UP:** Be sure pump is lined up properly to prevent strain on belts or couplings.

DRIVES:

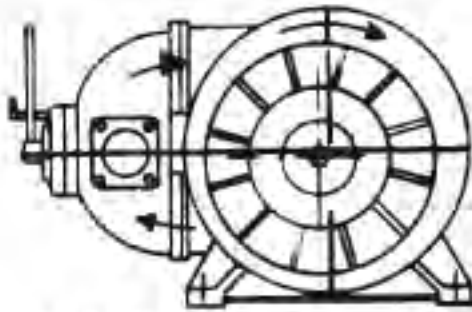
- BELTS:** Proper tension of belts is achieved by pushing centrally with your finger. Each belt can be depressed by 1/64" for every inch of span distance.
- CHAINS:** Same as belts (but usually not recommended).
REASON: RPM and lubrication.
- DIRECT:** Flexible coupling.

RPM:

See name plate tag.
Hold within plus or minus 50 RPM set at 18" Hg.

DRIVE DIRECTION:

Pulley or drive end view of the pump.



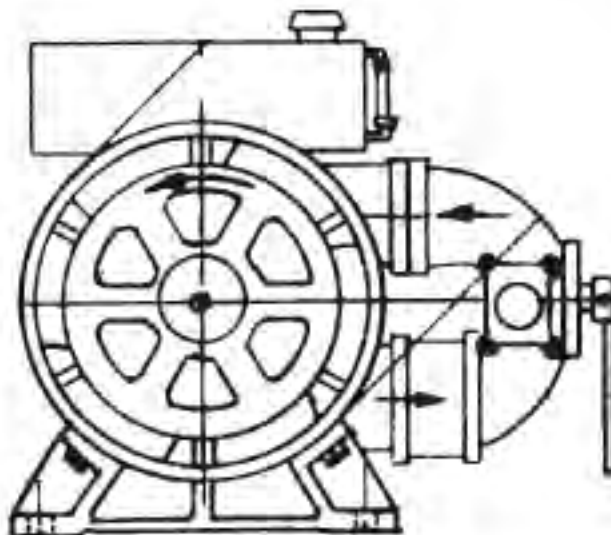
RCF 370, RCF 500
side Valve Model Shown



RCF 250, RCF 800
These pumps built
Top Valve style only.

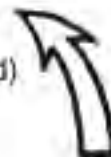


CLOCKWISE (or righthand)



RCF 1200
(Side Valve shown)

COUNTERCLOCKWISE (or lefthand)



MAINTENANCE:

LUBRICATION:

In summer conditions a W40 non-detergent motor oil or an ISO 150 compressor oil can be used. **For winter** a W30 non-detergent motor oil or an ISO 100 compressor oil. In extremely hot climates a W50 motor oil or an ISO 200 compressor oil can be used.

Always check oil level before starting unit, top up if necessary.

NEVER RUN PUMP DRY!!!

ALL PUMP Models:

Oil Tank: **IMPORTANT!**
During freezing weather, drain possible condensation build-up in bottom of oil tank.

Danger: If water gets into oil pump, it could freeze and damage gears in pump.

Drain and clean inside of oil tank with diesel fuel periodically.



OIL PUMP IN MODEL
RCF 250
RCF 370
RCF 500
RCF 800

(Located inside Oil Tank)

OIL CONSUMPTION (approximate)

	<u>RCF 250</u>	<u>RCF370</u>	<u>RCD 500</u>	<u>RCF 800</u>	<u>RCF 1200</u>
1 Litre Approx.	12 hr.	4.4 hr.	4.4 hr.	6.0 hr.	4.2 hr.
1 Imp. Gal. Approx.	55 hr.	20 hr.	20 hr.	27 hr.	19 hr.
1 U.S. Gal. Approx.	45 hr.	16.6 hr.	16.6hr.	22.4 hr.	15.8 hr.

RCF 1200 Pump Models:

When pump has been inoperative for 48 hours or longer, push down and hold down the spring loaded crank on the oil pump, while rotating the handle about 20 - 30 turns either way, or until oil drops can be seen dripping in oil flow valve.

OIL PUMP (EXTERNAL) FOR MODEL RCF 1200

SERVICE NOTE!

If you have any questions regarding the service of your pump, contact your local Fruitland Dealer or **1-800-863-9003**.

IMPORTANT: Order Spare parts from correct Parts Drawing, e.g. "Hydraulic Model", "Standard Model", and provide serial number of your vacuum pump. To ensure proper pump operation, **USE GENUINE FRUITLAND PARTS ONLY.**



COOLING: NO Vacuum pump should run for a prolonged period of time without air passing through it.
(AT MAXIMUM VACUUM) Addition of vacuum relief valve is highly recommended. The outside of the pump housing and the fan blades should be kept clean to allow proper cooling airflow. Do not allow build-up of dirt pump shroud and housing.

Accessories

FILTERS: The vacuum system should have at least one filter between the vacuum tank and the pump so that only clean air is allowed to pass through the pump. These filters can be in the primary and/or secondary shut-offs, in-line (between secondary and pump) or at the pump. Fruitland secondary shut-offs are equipped with filters.

SHUT-OFF MOISTURE TRAPS: All vacuum tanks should be equipped with an adequate primary and a secondary shut-off moisture trap to prevent liquids or semi-solids from being drawn into the pump. Liquids or solid materials drawn into the pump can seriously damage the pump. Moisture traps should be drained often and always before shutting unit down when temperature is below freezing.

PRESSURE RELIEF VALVE(S): A MUST. Test periodically to ensure proper setting is maintained. The Fruitland secondary is equipped with a pressure relief valve.

VACUUM RELIEF VALVE: If pump is run for long periods of time at high **vacuum**, a vacuum relief valve is recommended to protect against overheating.

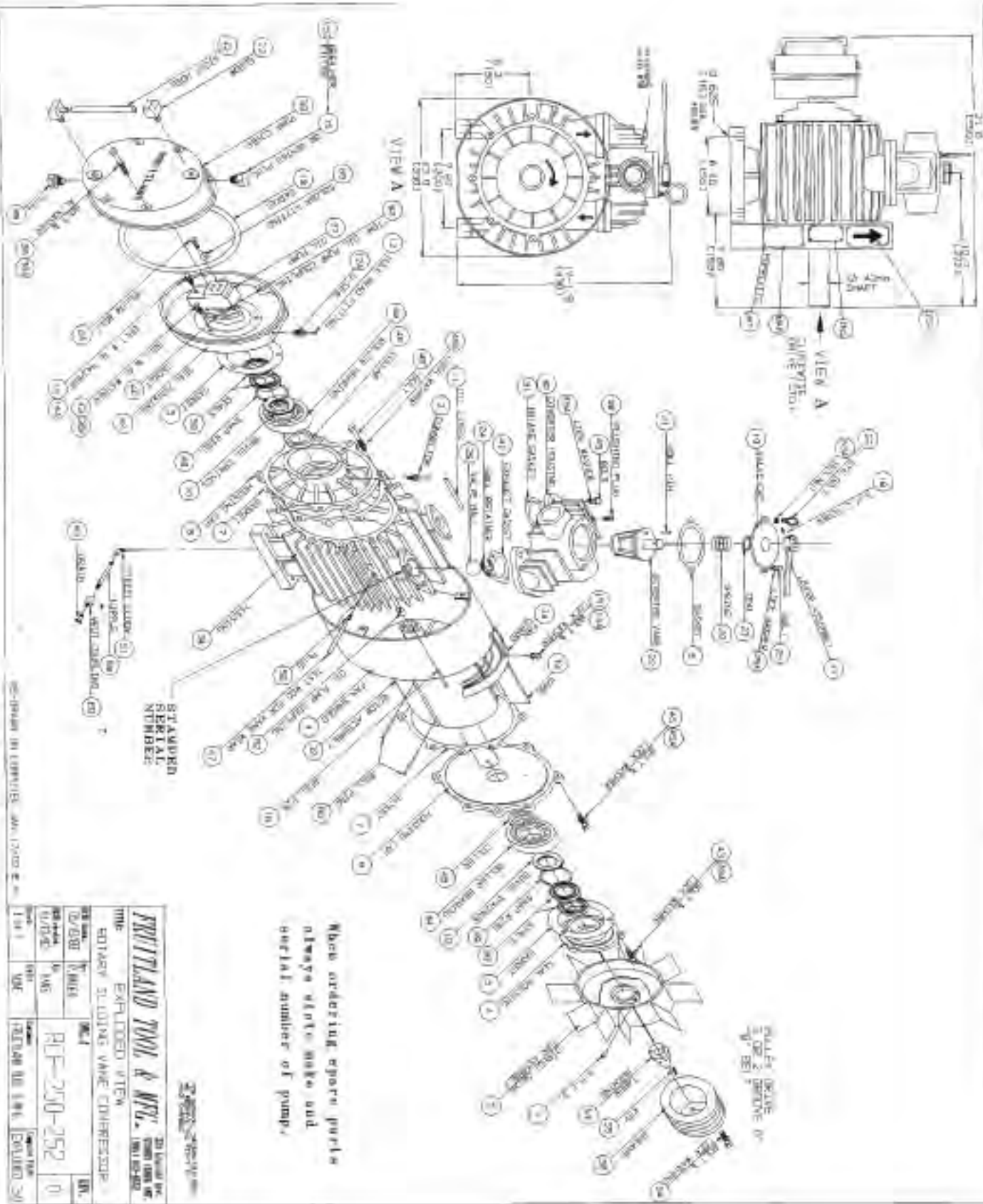
PRESSURE VACUUM GAGE: Recommended

OIL TRAP MUFFLER: Strongly recommended. (Noise Pollution)
*Available at Fruitland for all pumps

INTAKE PIPING: Pipes used must be free of corrosion or rust. Welding beads, slag or splatter must be removed.

NON-RETURN VALVE: (*Back-up valve*)
A standard installation in all our models. Its function is to close automatically when the pump is stopped to prevent air back flow and reverse running of the pump.

RCF 250

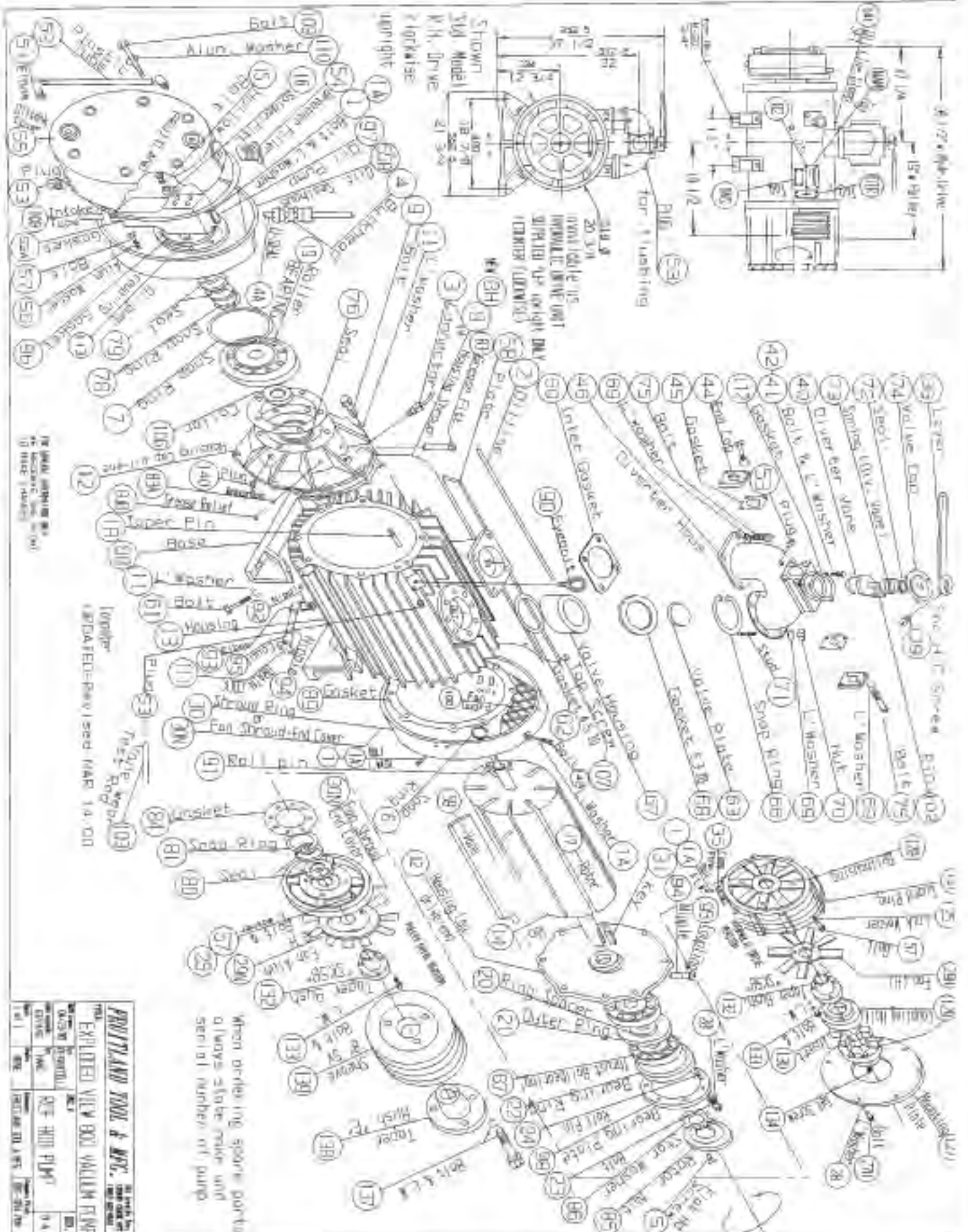


When ordering spare parts
always state make and
serial number of pump.

FRUITLAND TOOL & MFG. CO.

FRUITLAND TOOL & MFG. CO.		225 LINDEN ST.	
THE EXPLODED VIEW		CHICAGO, ILL.	
ROTARY SLIDING VANE COMPRESSOR		MODEL	
REV.	DATE	REV.	DATE
01/20/52	1/20/52	01/20/52	1/20/52
02/10/52	2/10/52	02/10/52	2/10/52
03/10/52	3/10/52	03/10/52	3/10/52
04/10/52	4/10/52	04/10/52	4/10/52
05/10/52	5/10/52	05/10/52	5/10/52
06/10/52	6/10/52	06/10/52	6/10/52
07/10/52	7/10/52	07/10/52	7/10/52
08/10/52	8/10/52	08/10/52	8/10/52
09/10/52	9/10/52	09/10/52	9/10/52
10/10/52	10/10/52	10/10/52	10/10/52
11/10/52	11/10/52	11/10/52	11/10/52
12/10/52	12/10/52	12/10/52	12/10/52
13/10/52	13/10/52	13/10/52	13/10/52
14/10/52	14/10/52	14/10/52	14/10/52
15/10/52	15/10/52	15/10/52	15/10/52
16/10/52	16/10/52	16/10/52	16/10/52
17/10/52	17/10/52	17/10/52	17/10/52
18/10/52	18/10/52	18/10/52	18/10/52
19/10/52	19/10/52	19/10/52	19/10/52
20/10/52	20/10/52	20/10/52	20/10/52
21/10/52	21/10/52	21/10/52	21/10/52
22/10/52	22/10/52	22/10/52	22/10/52
23/10/52	23/10/52	23/10/52	23/10/52
24/10/52	24/10/52	24/10/52	24/10/52
25/10/52	25/10/52	25/10/52	25/10/52
26/10/52	26/10/52	26/10/52	26/10/52
27/10/52	27/10/52	27/10/52	27/10/52
28/10/52	28/10/52	28/10/52	28/10/52
29/10/52	29/10/52	29/10/52	29/10/52
30/10/52	30/10/52	30/10/52	30/10/52
31/10/52	31/10/52	31/10/52	31/10/52
32/10/52	32/10/52	32/10/52	32/10/52
33/10/52	33/10/52	33/10/52	33/10/52
34/10/52	34/10/52	34/10/52	34/10/52
35/10/52	35/10/52	35/10/52	35/10/52
36/10/52	36/10/52	36/10/52	36/10/52
37/10/52	37/10/52	37/10/52	37/10/52
38/10/52	38/10/52	38/10/52	38/10/52
39/10/52	39/10/52	39/10/52	39/10/52
40/10/52	40/10/52	40/10/52	40/10/52
41/10/52	41/10/52	41/10/52	41/10/52
42/10/52	42/10/52	42/10/52	42/10/52
43/10/52	43/10/52	43/10/52	43/10/52
44/10/52	44/10/52	44/10/52	44/10/52
45/10/52	45/10/52	45/10/52	45/10/52
46/10/52	46/10/52	46/10/52	46/10/52
47/10/52	47/10/52	47/10/52	47/10/52
48/10/52	48/10/52	48/10/52	48/10/52
49/10/52	49/10/52	49/10/52	49/10/52
50/10/52	50/10/52	50/10/52	50/10/52
51/10/52	51/10/52	51/10/52	51/10/52
52/10/52	52/10/52	52/10/52	52/10/52

RCF 800

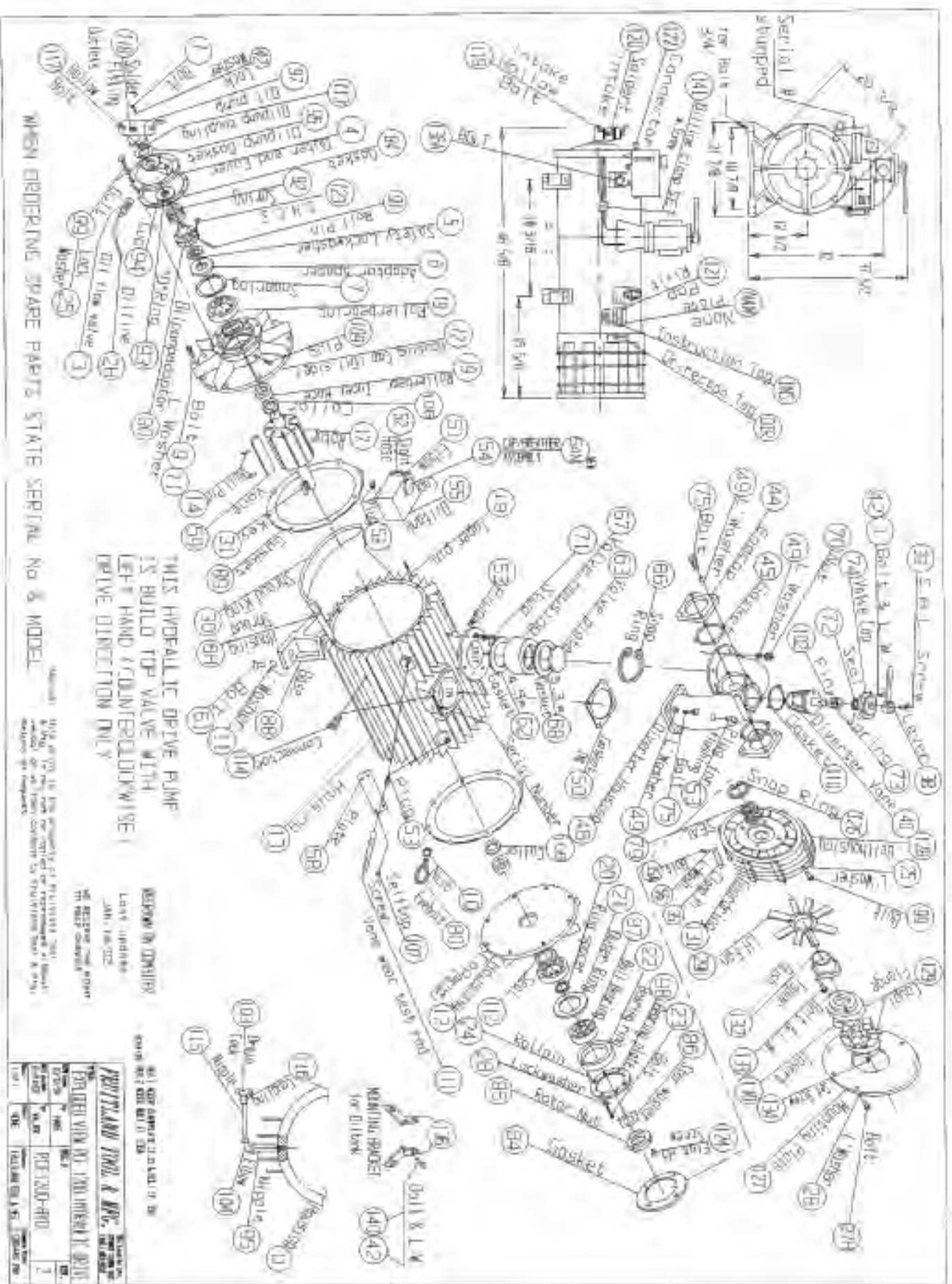


THE QUALITY ASSURED BY
 THE DESIGNER IS
 THE MARK OF A
 GOOD DESIGNER.

When ordering spare parts
 always state make and
 serial number of pump.

FRUITLAND TOOL & MFG.		FRUITLAND TOOL & MFG.	
1000 W. 10th St. S.W.		1000 W. 10th St. S.W.	
MINNEAPOLIS, MINN.		MINNEAPOLIS, MINN.	
TEL. 332-1111		TEL. 332-1111	
FAX 332-1111		FAX 332-1111	
E-MAIL: SALES@FRUITLAND.COM		E-MAIL: SALES@FRUITLAND.COM	
WWW.FRUITLAND.COM		WWW.FRUITLAND.COM	
© 2000 FRUITLAND TOOL & MFG.		© 2000 FRUITLAND TOOL & MFG.	

RCF 1200



WHEN ORDERING SPARE PARTS STATE SERIAL NO & MODEL

THIS HYDRAULIC DRIVE PUMP IS BUILT TOP VALVE WITH LEFT HAND COUNTERCLOCKWISE DRIVE DIRECTION ONLY

REPAIR OR REPLACE
 LEAKY UNITS
 JAN. 1967
 75 REPAIR CHART

ALL PARTS SHOWN IN THIS CHART ARE AVAILABLE FROM PERKINS TOOL & MFG. CO.

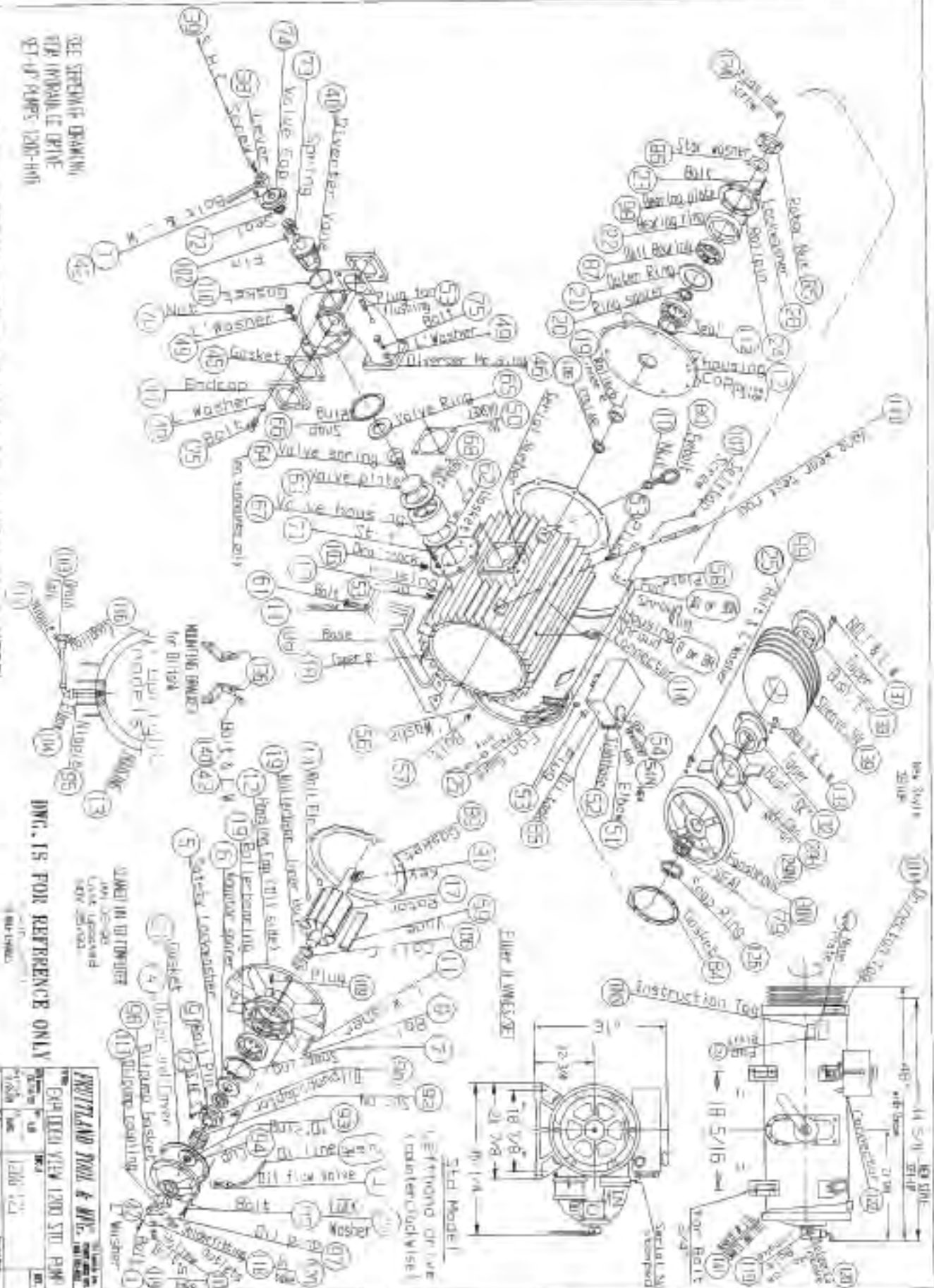
PERKINS TOOL & MFG. CO.	
1001	1002
1003	1004
1005	1006
1007	1008
1009	1010
1011	1012
1013	1014
1015	1016
1017	1018
1019	1020
1021	1022
1023	1024
1025	1026
1027	1028
1029	1030
1031	1032
1033	1034
1035	1036
1037	1038
1039	1040
1041	1042
1043	1044
1045	1046
1047	1048
1049	1050
1051	1052
1053	1054
1055	1056
1057	1058
1059	1060
1061	1062
1063	1064
1065	1066
1067	1068
1069	1070
1071	1072
1073	1074
1075	1076
1077	1078
1079	1080
1081	1082
1083	1084
1085	1086
1087	1088
1089	1090
1091	1092
1093	1094
1095	1096
1097	1098
1099	1100



RCF 1200

SEE SPECIFIC DRAWING FOR INTERNAL DRIVE SET-UP PARTS 1200-1401

WHEN ORDERING SPARE PARTS STATE SERIAL NO. & MODEL

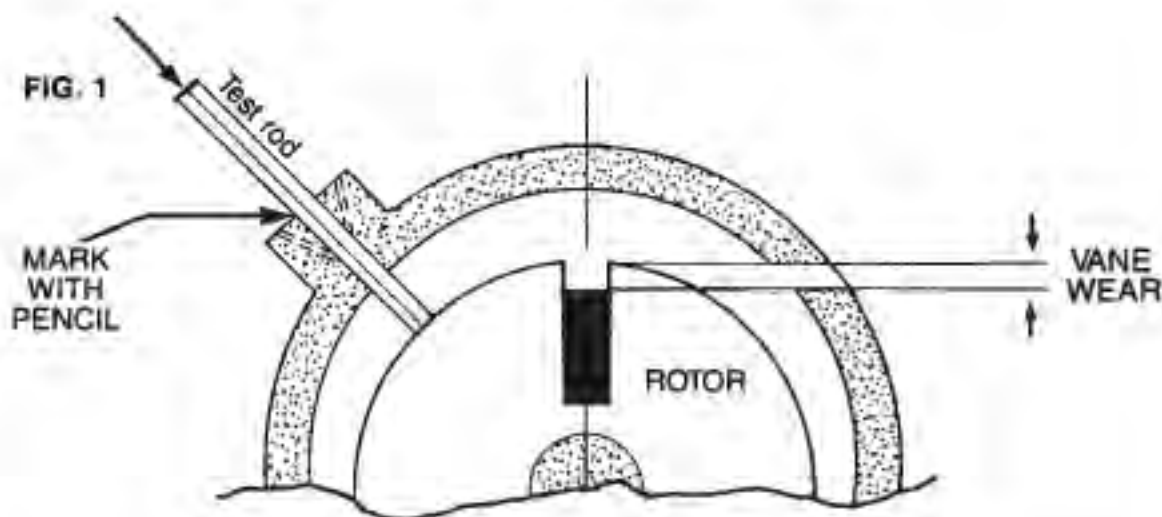


DWG. IS FOR REFERENCE ONLY

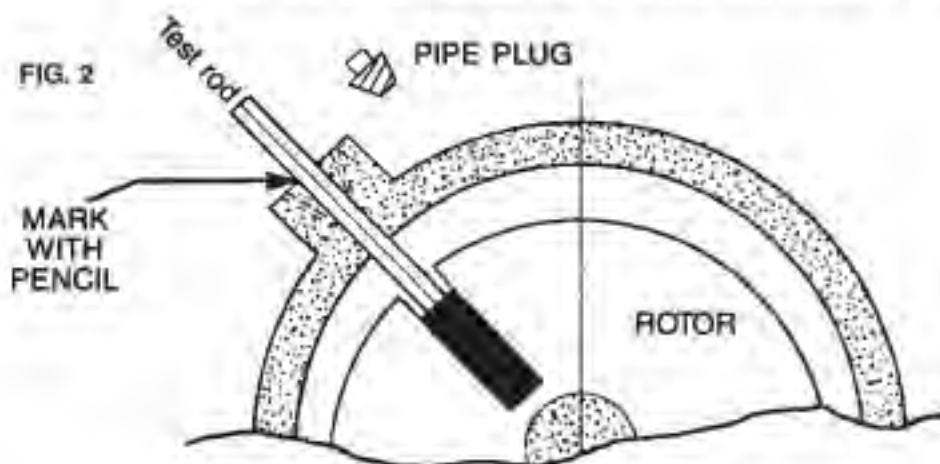
1/8" DIA.

FRUITLAND PUMP & MFG. COMPANY	
EAGLE VIEW 1200 STD. PUMP	
Part No.	Description
1	Motor
2	Valve Housing
3	Valve Ring
4	Valve Plate
5	Valve Spring
6	Valve Housing St. Pin
7	Valve Housing St. Pin
8	Valve Housing St. Pin
9	Valve Housing St. Pin
10	Valve Housing St. Pin
11	Valve Housing St. Pin
12	Valve Housing St. Pin
13	Valve Housing St. Pin
14	Valve Housing St. Pin
15	Valve Housing St. Pin
16	Valve Housing St. Pin
17	Valve Housing St. Pin
18	Valve Housing St. Pin
19	Valve Housing St. Pin
20	Valve Housing St. Pin
21	Valve Housing St. Pin
22	Valve Housing St. Pin
23	Valve Housing St. Pin
24	Valve Housing St. Pin
25	Valve Housing St. Pin
26	Valve Housing St. Pin
27	Valve Housing St. Pin
28	Valve Housing St. Pin
29	Valve Housing St. Pin
30	Valve Housing St. Pin
31	Valve Housing St. Pin
32	Valve Housing St. Pin
33	Valve Housing St. Pin
34	Valve Housing St. Pin
35	Valve Housing St. Pin
36	Valve Housing St. Pin
37	Valve Housing St. Pin
38	Valve Housing St. Pin
39	Valve Housing St. Pin
40	Valve Housing St. Pin
41	Valve Housing St. Pin
42	Valve Housing St. Pin
43	Valve Housing St. Pin
44	Valve Housing St. Pin
45	Valve Housing St. Pin
46	Valve Housing St. Pin
47	Valve Housing St. Pin
48	Valve Housing St. Pin
49	Valve Housing St. Pin
50	Valve Housing St. Pin
51	Valve Housing St. Pin
52	Valve Housing St. Pin
53	Valve Housing St. Pin
54	Valve Housing St. Pin
55	Valve Housing St. Pin
56	Valve Housing St. Pin
57	Valve Housing St. Pin
58	Valve Housing St. Pin
59	Valve Housing St. Pin
60	Valve Housing St. Pin
61	Valve Housing St. Pin
62	Valve Housing St. Pin
63	Valve Housing St. Pin
64	Valve Housing St. Pin
65	Valve Housing St. Pin
66	Valve Housing St. Pin
67	Valve Housing St. Pin
68	Valve Housing St. Pin
69	Valve Housing St. Pin
70	Valve Housing St. Pin
71	Valve Housing St. Pin
72	Valve Housing St. Pin
73	Valve Housing St. Pin
74	Valve Housing St. Pin
75	Valve Housing St. Pin
76	Valve Housing St. Pin
77	Valve Housing St. Pin
78	Valve Housing St. Pin
79	Valve Housing St. Pin
80	Valve Housing St. Pin
81	Valve Housing St. Pin
82	Valve Housing St. Pin
83	Valve Housing St. Pin
84	Valve Housing St. Pin
85	Valve Housing St. Pin
86	Valve Housing St. Pin
87	Valve Housing St. Pin
88	Valve Housing St. Pin
89	Valve Housing St. Pin
90	Valve Housing St. Pin
91	Valve Housing St. Pin
92	Valve Housing St. Pin
93	Valve Housing St. Pin
94	Valve Housing St. Pin
95	Valve Housing St. Pin
96	Valve Housing St. Pin
97	Valve Housing St. Pin
98	Valve Housing St. Pin
99	Valve Housing St. Pin
100	Valve Housing St. Pin
101	Valve Housing St. Pin
102	Valve Housing St. Pin
103	Valve Housing St. Pin
104	Valve Housing St. Pin
105	Valve Housing St. Pin
106	Valve Housing St. Pin
107	Valve Housing St. Pin
108	Valve Housing St. Pin
109	Valve Housing St. Pin
110	Valve Housing St. Pin
111	Valve Housing St. Pin
112	Valve Housing St. Pin
113	Valve Housing St. Pin
114	Valve Housing St. Pin
115	Valve Housing St. Pin
116	Valve Housing St. Pin
117	Valve Housing St. Pin
118	Valve Housing St. Pin
119	Valve Housing St. Pin
120	Valve Housing St. Pin
121	Valve Housing St. Pin
122	Valve Housing St. Pin
123	Valve Housing St. Pin
124	Valve Housing St. Pin
125	Valve Housing St. Pin
126	Valve Housing St. Pin
127	Valve Housing St. Pin
128	Valve Housing St. Pin
129	Valve Housing St. Pin
130	Valve Housing St. Pin
131	Valve Housing St. Pin
132	Valve Housing St. Pin
133	Valve Housing St. Pin
134	Valve Housing St. Pin
135	Valve Housing St. Pin
136	Valve Housing St. Pin
137	Valve Housing St. Pin
138	Valve Housing St. Pin
139	Valve Housing St. Pin
140	Valve Housing St. Pin
141	Valve Housing St. Pin
142	Valve Housing St. Pin
143	Valve Housing St. Pin
144	Valve Housing St. Pin
145	Valve Housing St. Pin
146	Valve Housing St. Pin
147	Valve Housing St. Pin
148	Valve Housing St. Pin
149	Valve Housing St. Pin
150	Valve Housing St. Pin

MEASURING VANE WEAR



NOTE: Be extra careful not to bend the checking rod.



Vane wear (see diagrams above) should not exceed $3/8"$ in models RCF 800 and 1200, and $1/4"$ in pump models 250, 370, and 500. Fruitland pumps have at least two orifices for checking vane wear, some models have four. These orifices are located on the housing at both ends of the vacuum pump, and are marked with red. $3/16"$ diameter test rod is supplied with the pump. We recommend checking the vanes on both ends, as they sometimes wear in a tapered fashion because of excess heat or contamination.

To measure vane wear, remove the plug from the orifice and insert the test rod until the rod touches the rotor. Mark the rod with pencil as shown in diagram (fig. 1). Turn the pump shaft until rod drops into the vane slot in the rotor. Mark with pencil again (fig. 2). Distance between the pencil marks is the amount of wear you have on the vane. If the vane is tapered from end to end, take the largest measurement as the amount the vane is worn.

Replace the complete set of vanes when worn to the maximum recommended amount for your pump model.

Failure to replace the vanes at the recommended time can result in pump failure. **Vane wear and subsequent damage are not covered under Warranty.** Instructions for replacing vanes are given on page 6 & 7.

Recommended first check after approximately 10 hours of operation; next check after 50 hours of operation; thereafter, check every 200 hours or once a month if no significant wear has been detected on the 2 initial checks (see first paragraph of page 6).

TYPE	RCF 250	RCF 370	RCF 500	RCF 800	RCF 1200
Aprox. Air flow	150 CFM	259 CFM	320 CFM	420 CFM	630 CFM
Maximum Vacuum	27" Hg	28.5" Hg	28.5" Hg	28.5" Hg	28.5" Hg
Power Required @ 27" Hg	7 BHP	11BHP	14 BHP	14 BHP	20 BHP
Pressures to	30 psi	35 psi	35 psi	35 psi	35 psi
Power required @ Max. Pressure	18 BHP	36 BHP	44 BHP	55 BHP	85 BHP
Power required @ 0" Hg	10 BHP	16 BHP	19 BHP	18 BHP	26 BHP
Size of Hoses	2"	3"	3"	4"	4"
Operating Speed	1400 RPM	1400 RPM	1400 RPM	1000 RPM	1000 RPM
Lubrication (oil pump)	automatic	automatic	automatic	automatic	automatic
Vanes	4(fibre)	8(fibre)	8(fibre)	8(fibre)	8(fibre)
Fan cooling continuous duty	YES	YES	YES	YES	YES
Approx. net Pump weight	255 lbs.	385 lbs.	450 lbs.	1100lbs.	1400 lbs.

*Data and capacities not binding
 *We reserve the right to make changes

Vanes (fiber)

Life expectancy of fiber vanes is hundreds of working hours. It greatly depends on the cleanliness of the intake air. Any contamination that enters your pump (e.g. sand, rust, or soil dust particles) will shorten their life expectancy. It is the owner's responsibility to keep contamination out of the pump. **Keep Your Filters Clean.**

Vane Wear

Many factors can contribute to rapid or premature vane wear.

- 1 - Overheating of pump (check overheating in trouble shooting on page 10)
- 2 - Contamination entering pump. - Abrasives, or anything that can affect the action of the oil. (eg) chemicals
- 3 - Running pump too fast (overspeeding) (creep up governor)
- 4 - Wrong oil, or no oil.
- 5 - Oil pump failure.
- 6 - Pump housing damage.
- 7 - Rotor slots worn - If contamination getting into pump has caused the rotor slots to wear unevenly on the vanes thrust side, extra force is required to return the vanes into the slots as the rotor turns. This extra load causes housing wear, vane wear and raises pump temperature.

Since there are many factors that cause rapid vane wear, we do not warranty vanes or any related damage from vanes worn beyond the recommended amount, unless a defect in material or workmanship caused the vanes to wear prematurely.

VANE REPLACEMENT: All RCF 250, 370, and 500 models

- Disconnect drive source from pump.
- Drain oil from oil tank and remove oil tank cover by removing the four hex bolts and aluminum sealing washers.
- Disconnect all oil lines and remove oil pump. (held on by two bolts and lock washers).
- Do not lose the oil pump to Rotor coupling.**
- Remove the seal housing by removing three hex bolts and aluminum sealing washers.
- Remove the eight hex bolts and lock washers from the housing end cap and then slide the end cap off the rotor shaft. The rotor bearing and two bevel springs should be kept in the end cap. Please note their positioning if you remove them for replacement.
- Remove old vanes and replace with new vanes that have been dipped in oil.
- Inspect housing bore and bearings. We recommend replacing the seals and all related gaskets.
- Reassemble in reverse order.
- The eight housing end cap bolts should be tightened evenly to 20ft./lbs. torque.
- **NOTE:** Special attention is to be given that the oil pump coupling is engaging the roll pin in the rotor shaft. Turn rotor by hand. It should turn freely.
- Hook up drive source to pump, fill oil tank with correct oil.
- Resume operation.

VANE REPLACEMENT: RCF 800 Models

Disengage drive source to pump.

- Drain oil from oil tank (plug #53). Remove six hex bolts #109/110 and oil tank cover #55.
- Disconnect all oil lines.
- Remove four hex bolts #57/56 and oil tank - seal housing #55B.
- Remove eight hex bolts #9/11 and slightly tap end cover LH #12 loose from housing #13 and slide it off the rotor shaft. The two taper pins #18 stay in the end cover #12.
- Remove the old vanes and replace with new ones that have been dipped in oil.
- Inspect housing bore, roller bearing #19, seals #79 and #76 while having the pump apart. Replace any torn gaskets.
- Reassemble in reverse order.
- Tighten bolts evenly.-75 ft./lbs. torque (on 8 hex bolts #g)

VANE REPLACEMENT: RCF 1200

- Disengage drive source to pump.
- Slightly loosen supply oil line connector # 122 on oil tank, then remove the same line on the oil pump and swing the line up and secure to prevent draining of oil tank.
- Remove all other oil lines from oil pump.
- Remove oil pump, two bolts #1.
- Remove outer end cover #4, eight hex bolts #99.
- Remove housing cap - RH #12 by taking eight hex bolts #9/11 out and lightly tapping it loose from the housing #13. The two taper pins #18 stay in the housing cap #12.
- Remove old vanes and replace with new ones that have been dipped in oil.
- Inspect housing bore, roller bearing #19 and O-ring #93 in cup #94 while having pump apart. Replace any torque gaskets.
- Reassemble in reverse order.
- Tighten bolts evenly - 75ft./lbs. torque.(on 8 hexbolts #g)

NOTE: Special attention is to be given that the oil pump coupling #113 is engaged in the slot of the oil pump adapter #90 attached to the rotor shaft.

- Turn rotor by hand, it should turn freely.
- Crank handle of oil pump to prelubricate.
- Hook up drive source to pump.
- Resume operation.

VANES CHECKED

Year	20	20	20	20	20
Jan.					
Feb.					
Mar.					
Apr.					
May					
June					
July					
Aug.					
Sept.					
Oct.					
Nov.					
Dec.					

First 10 hrs check

50 hrs check

PUMP FLUSHING PROCEDURE

RCF 250

Mix one (1) quart of diesel fuel with 5 fl. oz. of oil.

Stop the pump.

Place the lever of the pump on vacuum mode.

Remove the plug #38 on Diverter Housing #30, pour half (1/2) of the diesel-oil mixture slowly into the hole.

Turn pump rotor by manually pulling belts to distribute liquid.

Run pump for 30 seconds on working speed.

Repeat with second half of diesel-oil mixture.

Run pump for one minute. Stop. Pour in one (1) pint of oil, drain liquid from muffler/oil trap.

Screw plug #38 back into place.

Resume operation.

RCF 370 and RCF 500 Models

1. Pumps equipped with top mounted four way valve (uprights), mix one-half (1/2) gallon of diesel fuel with one-half (1/2) pint of oil.
2. Pumps equipped with side mounted four way valve (sidemounts), mix one (1) gallon of diesel fuel with one (1) pint of oil.

Stop the pump.

Place the #37 of the pump on vacuum mode.

Remove the plug #51 on Housing #130, pour half (1/2) of the diesel-oil mixture slowly into the hole.

Turn pump rotor manually pulling belts or turning coupling to distribute liquid.

Run pump for 30 seconds on working speed.

Repeat with second half of diesel-oil mixture.

Run pump for one minute. Stop. Pour in one (1) pint of oil, drain liquid from muffler/ oil trap.

Screw plug #51 back into place.

Resume operation.

RCF 800 & RCF 1200 Models

Mix one gallon of diesel fuel with one pint of oil.

Stop the pump.

Place the lever of the pump on vacuum mode.

Remove the plug #53 on Diverter Housing #46, pour half (1/2) of the diesel-oil mixture slowly into the hole.

Turn pump rotor by manually pulling belts or turning coupling to distribute liquid.

Run pump for 30 seconds on working speed.

Repeat with second half of diesel-oil mixture.

Run pump for one minute. Stop. Pour in one (1) pint of oil, drain liquid from muffler/oil trap.

Screw plug #53 back into place.

Resume operation.

PUMP OUT OF USE FOR PROLONGED PERIOD(S):

Should the pump not be operated for 2 months or more (before new installation or sitting idle), the above flushing procedure should be performed every 2 months.

PLEASE DETACH AND MAIL.



PLACE
STAMP
HERE



Fruitland Tool & Manufacturing,
324 Leaside Avenue,
Stoney Creek, Ontario,
Canada
L8E 2N7

To put this guarantee into effect this card must be filled out immediately and returned to:

Pour que cette garantie entre en vigueur, remplir immédiatement cette carte et retourner à:

Fruitland Tool & Manufacturing,
324 Leaside Avenue,
Stoney Creek, Ontario,
Canada L8E 2N7

From:
De:

Owner's Name:
Nom de propriétaire

Street
Rue

City
Ville

State or Province
État ou province

Zip or Postal Code
Zip ou code postal

Telephone No.
N° téléphone (area code) (code régional)

Purchased from
Acheté de

Serial Number
N° série
.....

Date Purchased
Date d'achat
____/____/____
D M Y
J M A

PLEASE DETACH AND MAIL

TROUBLE SHOOTING

LACK OF VACUUM IN TANK:

- Tank not closed or leaking.
- Collapsed Hose: Check where, and replace.
- Stuck automatic floating shut-off: Put pump on pressure for a moment. Pump running backward after stopping;
- Stuck or broken non-return valve (*Back-up valve*)

OVERHEATING:

- Lack of oil.
- Wrong type of oil. (*See: Lubrication - page 3*)
- Cooling fins of casing plugged with dirt.
- Pump run too long WITHOUT air passing through inside of pump. (*See: Cooling - page 4*)
- RPM too high.
- Broken oil pump.
- Clogged oil line.
- Collapsed hose.
- Clogged filter or muffler.

PUMP NOT TURNING:

- Foreign material lodged in pump.
- Pump frozen up (winter conditions).
- Vane or housing broken.
- Overheated.

On RFC 370, RFC 500, RFC 800, RFC 1200 only

NOTE: A slight metallic noise at high vacuum (above) 23-24 Hg. is normal.

The expanded air is too weak to hold the non-return valve (back-up valve) completely open and consequently causes the closing disk to flutter.